

MFJ Fibre Jet polyamide

Mungo MFJ Fibre Jet polyamide for use in drywall (sheetrock), autoclaved aerated concrete and gypsum block. In drywall (sheetrock) no pre-drilling is required. The available Duo-bit PZ2 can be used to screw in both the plug and the screw.



1 SPECIFICATIONS OF INTENDED USE

Futures:

- Mungo MFJ Fibre Jet is glass-fibre reinforced
- Electrically insulated
- For single and double plasterboards,
- For limited spacing behind the drywall (Fibre Jet 25mm)
- Thin cutting thread; easy and reliable installation in drywall
- Center point ensures an easy setting and drilling in the plate
- Pre installation
- Indoor and outdoor applications

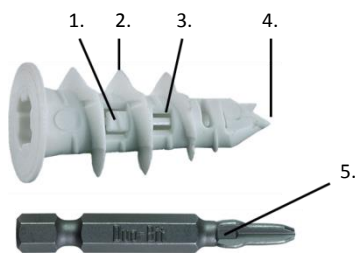
Base materials:

- Plasterboard
- Gypsum
- Aerated concrete

Applications:

- Pictures
- Lamps
- Rails
- Small wall-mounted shelves

2 CHARACTERISTICS

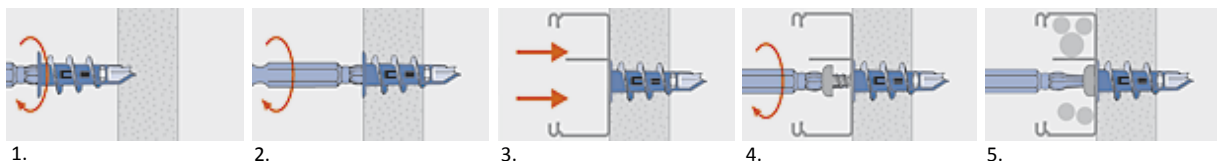


Characteristics:

1. Back twist lock permits the disassembly of screws without the movement of the plug,
2. the thin cutting thread prevent expansion in soft building materials,
3. drilling-dust pockets allow ramming of building material to be removed in to the plug,
4. center point ensures an easy setting and drilling in the plate (in drywall no pre-drilling is required),
5. Duo-Bit PZ2 for setting the MFJ (Fibre Jet polyamide).

3 INSTALLATION INSTRUCTIONS

Graphic installation guide for MFJ Fibre Jet polyamide



1. Place the MFJ on a Duo-Bit,
2. screw the MFJ directly into the drywall, until the collar is flush with the surface (in other materials 7 mm pre-drilling is recommended),
3. position the building material,
4. insert the screw using a Duo-Bit PZ2,
5. the building material may only bear on the plug collar.

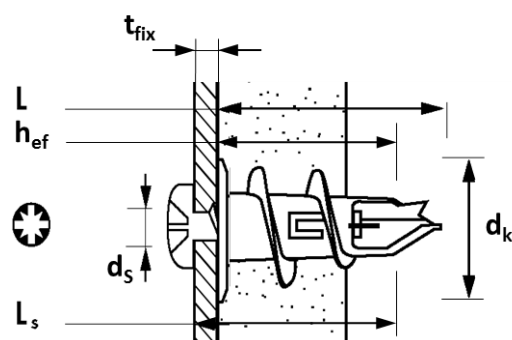
4 INSTALATION DATA

Installation parameters for MFJ Fibre Jet polyamide

Installation parameters for MFJ Fibre Jet polyamide

MFJ Fibre Jet polyamide			MFJ25	MFJ32	MFJ32-S ¹⁾
Plug length	L	[mm]	25	32	32
Collar outer diameter	d_k	[mm]	13	14	14
Installation data					
Nominal drill hole diameter	d_0	[mm]	7	7	7
Screw diameter	d_s	[mm]	4 - 4.5	4 - 4.5	4.5
Entire screw length	L_s	[mm]	$h_{ef} + t_{fix}$	$h_{ef} + t_{fix}$	30
Screw 4 mm effective anchorage depth	$\geq h_{ef}$	[mm]	20	20	—
Screw 4.5 mm effective anchorage depth	$\geq h_{ef}$	[mm]	15	15	15
Maximum fixture thickness	t_{fix}	[mm]	—	—	15

¹⁾Product includes the wood screw PZ2 4.5x30 mm



5 BASIC PERFORMANCE DATA

Basic performance data for MFJ Fibre Jet polyamide with safety factor 3

Basic performance data for MFJ Fibre Jet polyamide

MFJ Fibre Jet polyamide			MFJ25	MFJ32	MFJ32-S ¹⁾
Plug length	L	[mm]	25	32	32
Recommended tension resistance					
Plasterboard $d = 12.5$ mm	N_{rec}	[N]	90	90	90

¹⁾Product includes the wood screw PZ2 4.5x30 mm

6 IMPORTANT NOTICE

Values in this document are only valued for Mungo MFJ Fibre Jet polyamide. In recommended resistance the partial safety factor $\gamma = 3$ is considered. For combination of tensile loads, shear loads, bending moments as well as reduced edge distances or spacing's (anchor groups) above given values needs to be reduced. The data must be checked by the user under the responsibility of an engineer experienced in anchorage. This is to ensure there are no errors and all data is complete and accurate and complies with all rules and regulations for the actual conditions and application.